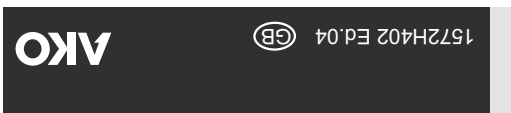




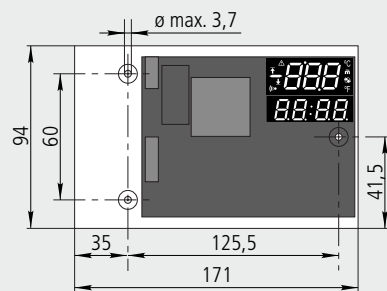
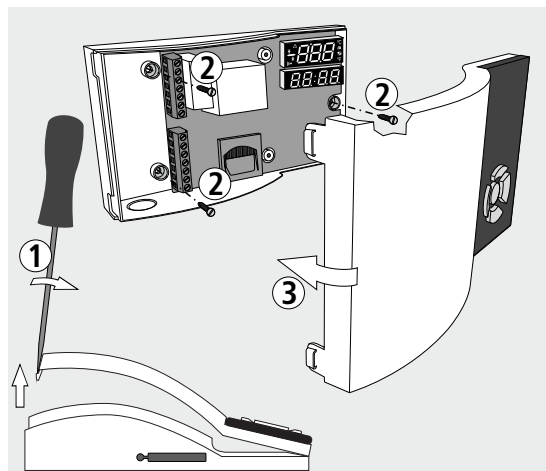
Instructions



1- Warnings

- The unit should be installed in a place protected from vibrations, water and corrosive gases, where the ambient temperature does not exceed the value indicated in the technical data.
- For the unit to operate correctly, use only the probes supplied by AKO.
- For the reading to be correct, the probe should be used in a place without heat influences apart from the temperature you want to measure or control.
- The probe and its cable should **NEVER** be installed in a conduit together with power, control or feeder cables.
- In the event of lengthening the NTC probe, always used shield cable and earth the mesh. In these cases, the maximum deviation will be 0.25 °C from -40 °C to +20 °C (Maximum 1000 m with a minimum section of 0.5 mm²). We recommend using **AKO-15586** cable.
- Always disconnect the power supply to do the wiring.
- The power circuit should be equipped with a switch marked as disconnecting device of the equipment of at least 2 A, 230 V, situated near the appliance.
- The power supply cable should be H05VV-F or H05V-K type. The gauge will depend on local regulations, but should in no case be less than 1 mm². The electrical installation should be carried out under pipe.
- Using the logger not observing the manufacturer's instructions may alter the appliance safety requirements. Only probes supplied by AKO should be used for the appliance to operate correctly.

2- Installation

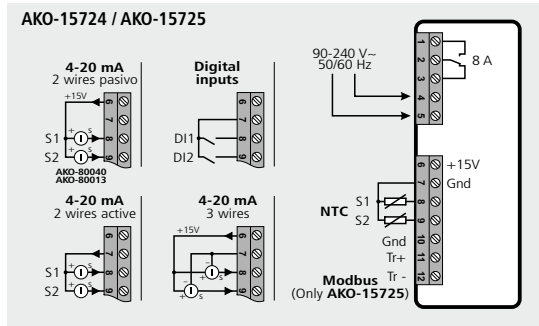


351572402 REV/03 2012

3- Technical specifications

- Power supply 90-240V~ 50/60Hz
- Alarm relay 8A cos φ=1
- NTC range (**AKO-14931**) -50°C to 99.9°C
- Range 4-20 mA Configurable from -100 to 900 (1000 levels)
- Resolution 0,1
- Accuracy class (-40 °C to 40 °C): ±1 °C acc/EN 12830
- Response time: < 20 seconds
- Maximum relative time error: < 0.1 %
- Marked according to UNE-EN 12830 S,A,1,-40 °C + 40 °C
- Apt for use in storage (S)
- Climatic environment type (A)
- Accuracy class (1)
- Maximum input power 8.5VA
- Working ambient temperature 0 °C to 40 °C
- Storage ambient temperature -20 °C to 60 °C
- Degree of protection IP40
- Double insulation between power supply, secondary circuit and relay output.
- Installation category II acc/EN 61010-1
- Pollution degree II acc/EN 61010-1
- Maintenance of date and time without power supply Up to 2 days
- Internal buzzer 70dB at 30 cm
- SD cards accepted SD/SDHC (FAT / FAT32)

4- Wiring

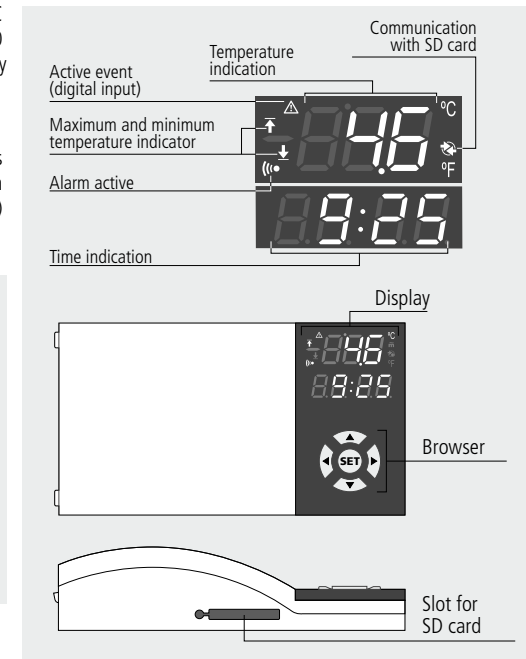


5- Operation

Key function

- ▲ key: A short press displays the maximum value reached in the last 24h, and the time when all the active inputs were reached. In the programming menu it allows scrolling around the different levels, or during the setting of a parameter, changing its value.
- ▼ key: A short press displays the minimum value reached in the last 24h, and the time when all the active inputs were reached. In the programming menu it allows scrolling around the different levels, or during the setting of a parameter, changing its value.
- ▶ key: A short press downloads the data of the ongoing log onto the SD card (if it has been inserted)
- ◀ key: A short press downloads ALL the logged data onto the SD card (if it has been inserted). The save without changes, return to previous level or exit programming parameter appears on the programming menu.
- SET** key: A short press downloads the data of the last log onto the SD card (if it has been inserted).
- Silences the acoustic alarm (according to parameter P50).

- In programming, confirms the selection and saves the entered value.
- ▲ + ▼ keys : Pressing for over 10 seconds accesses the data log display menu.
- Press ▲ / ▼ to select the log block and press **SET** to access it. Press ▲ / ▼ to select the log to be displayed, after 1 second the value of each input will be displayed, indicating the date and time of the log.
- ▲ + ▶ keys : Pressing for over 10 seconds accesses the alarms log display menu.
- Press ▲ / ▼ to select the input to be displayed and press **SET**. Press ▲ / ▼ to select the event to be displayed (no. 1 is the most recent event), after 1 second the value of each input will be displayed, indicating the date and time of the event.
- ▲ + ▼ Keys: Pressing them for over 10 seconds accesses the programming menu.



Message table

MESSAGES	
E01	Probe 1 broken (Open, crossed circuit or probe out of range)
E02	Probe 2 broken (Open, crossed circuit or probe out of range)
---	Input disabled
---	Top log reached
---	Bottom log reached
5CH	Reading information from the internal memory.
EE4	Internal memory empty
E11	Error accessing the logger's internal memory
E12	Error in access to the real time clock (RTC)
E13	SD card not detected
E14	Writing error in SD card
E15	Error in the format of the SD card. It must be FAT/FAT32
E16	The SD card is write protected
PR5	Password request



<http://www.ako.com/w4pu/page/qr/?qrcode=AKODOC0002>

For further information, refer to the application note available in our website www.ako.com



Av. Roquetes, 30-38
08812 Sant Pere de Ribes
Barcelona (España)

Tel. (34) 938 142 700
Fax (34) 938 934 054

www.ako.com
ako@ako.com

5.1- Structure of the logged data

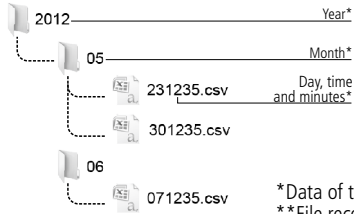
The logged data are stored in the internal memory of the logger organised in log blocks. The period of time stored in each block, and the maximum capacity of the internal memory, depend on the log interval (L1 parameter), as shown in table.

Log interval	Period stored by block	Internal memory capacity
1 min.	8 hours	> 50 dias
5 min.	24 hours	> 5 months
15 min.	7 days	> 3 years
30 min.	14 days	> 6 years
60 min.	28 days	> 12 years

The logger has a slot for SD cards, that allows transferring the stored data for display on a computer or to be saved as a backup. These data are saved in spread sheet format (.csv), organised in the following way:

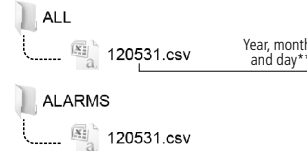
Downloads the data of the last closed log or ongoing log (▶ or SET keys)

Each log block is saved in a file, whose name is the day, hour and minutes of the **first log** it contains.



Downloads ALL the logged data (◀ key)

Two files are generated whose name is the year, month and day of the **download**, in two different folders ALL and ALARMS. The first contains the file with all the data logged by the device until then and the second contains the file with the events saved until then (see section 5.2):



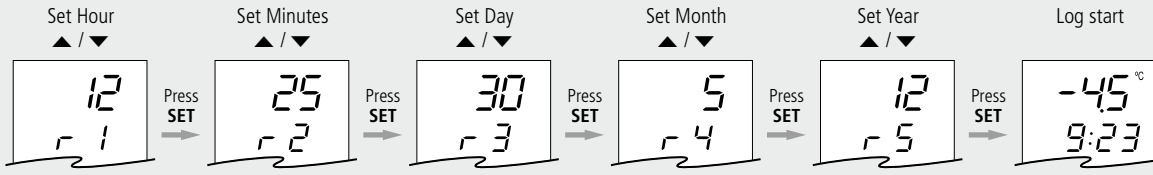
IMPORTANT: Do not remove the SD card until the indicator turns off.

5.2- Alarm log

This function saves an event whenever an alarm is activated or deactivated. To download the events log data, press the ◀ key, all the data logged up to date are downloaded onto the SD card, including the events log, contained in the "ALARMS" folder.

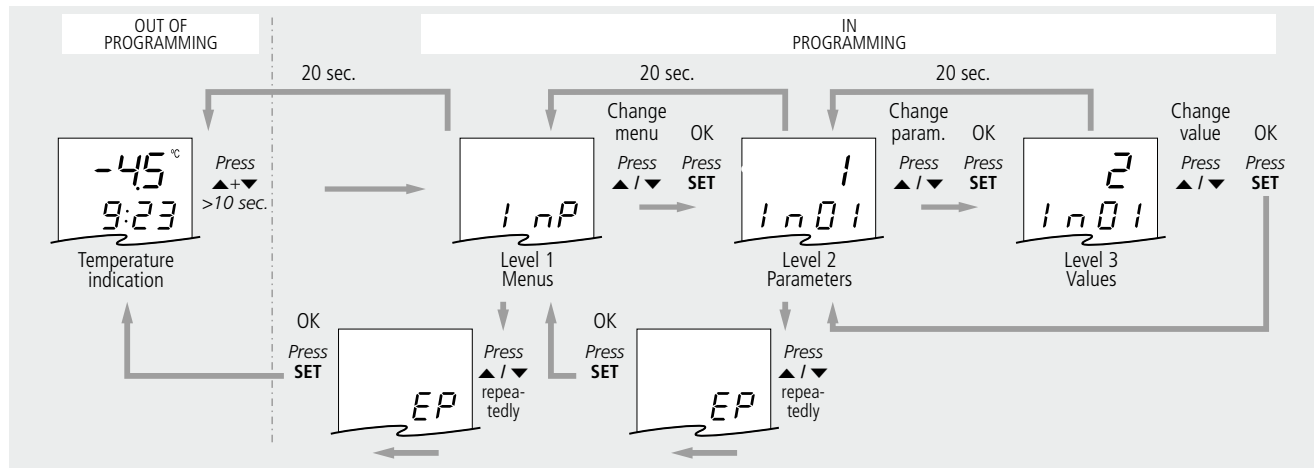
5.3- Initial start-up

The date and time will be requested during the first start-up.



5.4- Programming menu (parameters)

To access the parameter programming menu, press the ▲ + ▼ keys at the same time. Refer to the list of available parameters in section 5 of this manual. After 20 seconds without touching any key, the unit returns to the previous level. If it is in level 3 the changes will not be saved.



6- Parameter and message table

The **Def.** column indicates the factory default parameters. Unless otherwise indicated, the temperature values are expressed in °C (equivalent temperature in °F).

Level 1	Menu and description			
InP	Level 2 Input configuration			
	Level 3	Description	Units	Min. Def. Max.
i1	Type of input 1:	0: Disabled 1: NTC 2: 4-20 mA 3: Digital input (NO) 4: Digital input (NC)		0 1 4
i2	Value 4 mA input 1			-100 0 13
i3	Value 20 mA input 1			12 100 900
i4	Calibration input 1			-20 0 20
i11	Type of input 2:	0: Disabled 1: NTC 2: 4-20 mA 3: Digital input (NO) 4: Digital input (NC)		0 0 4
i12	Value 4 mA input 2			-100 0 113
i13	Value 20 mA input 2			112 100 900
i14	Calibration input 2			-20 0 20
EP	Output to level 1			
AL	Level 2 Alarm configuration			
	Level 3	Description	Units	Min. Def. Max.
A0	Alarm input 1:	0: Disabled; 1: Enabled		0 0 1
A1	MAX alarm value input 1		A2	99.9 999*
A2	MIN alarm value input 1			-999* -50 A1
A3	Delay alarm input 1		(min.)	0 0 120
A4	Alarm output input 1:	0: No output 1: Only acoustic 2: Only relay 3: Acoustic + relay		0 0 3
A10	Alarm input 2:	0: Disabled; 1: Enabled		0 0 1
A11	MAX alarm value input 2		A12	999*
A12	MIN alarm value input 2			-999* 0 A11
A13	Delay alarm input 2		(min.)	0 0 120
A14	Alarm output input 1:	0: No output 1: Only acoustic 2: Only relay 3: Acoustic + relay		0 0 3
EP	Output to level 1			
CnF	Level 2 General configuration			
	Level 3	Description	Units	Min. Def. Max.
P2	Access code function:	0: Inactive; 1: Parameter access block		0 0 1
P3	Default parameters:	0: No; 1: Yes		0 0 1
P5	MODBUS address for units with communication			1 1 255
P7	Temperature display mode:	0: Integers in °C 1: One decimal point in °C 2: Integers in °F 3: One decimal point in °F		0 1 3
P8	Input to be displayed:	0: Carrusel Input 1 - Input 2; 1: Input 1; 2: Input 2		0 1 2
P50	Mute alarm with SET key:	0: Disabled 1: Only sound 2: Only relay 3: Sound and relay		0 1 3
EP	Output to level 1			
dLG	Level 2 Logger configuration			
	Level 3	Description	Units	Min. Def. Max.
L1	Log interval:	0: 1 minute 1: 5 minutes 2: 15 minutes 3: 30 minutes 4: 60 minutes		0 2 4
L2	Delete record and event log:	0: No; 1: Yes		0 0 1
L3	Day of the start of the log:	0: Monday 1: Tuesday 2: Wednesday 3: Thursday 4: Friday 5: Saturday 6: Sunday		0 0 6
L4	Decimal separator in .csv files:	0: , 1: .		0 0 1
EP	Output to level 1			
rtC	Level 2 Date and time			
	Level 3	Description	Units	Min. Def. Max.
r1	Hour			0 0 23
r2	Minute			0 0 59
r3	Day			1 1 31
r4	Month			1 1 12
r5	Year			12 12 99
r6	Automatic hour change:	0: No; 1: Yes		0 1 1
EP	Output to level 1			
tid	Level 2 Access control and information			
	Level 3	Description	Units	Min. Def. Max.
L5	Password			0 - - 99
PU	Programme version			- - -
Pr	Programme revision			- - -
EP	Output to level 1			
EP	Output to level 1			

* the limits may vary depending on the type of input selected