

Built-in remote-controlled series

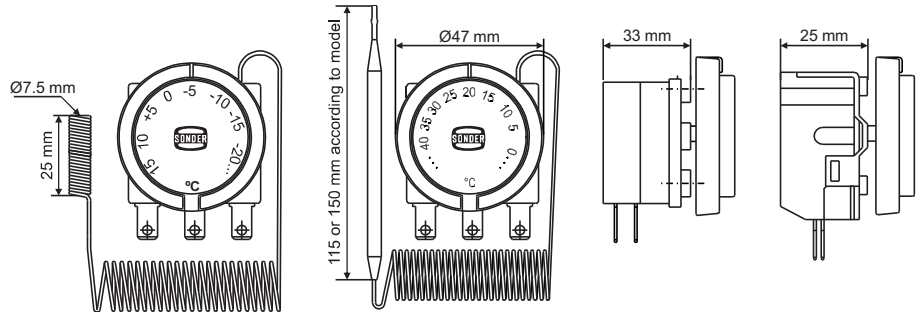
FR 97



LR 98
LR 101



- Mechanical thermostats with switched silver contacts
- Breaker power: 16(4)A 230V~
- Bag of accessories and control with two stops
- Applications on commercial cooling installations and equipment, display cases, bottle cupboards, water coolers, etc.
- FR series: operation at saturation pressure, fast response and maximum sensitivity. Copper bulb
- Series LR: operation by liquid dilation, for large scales. Low temperature influence on box with regard to sensor bulb. Stainless steel bulb.



104

Model	Code	Scale	Differential	Capillary	Bulbe
FR 97	27.061	-25 to +15°C	1°C	1,8 m	Ø7.5 x 25mm
LR 98	27.059	0 to +40°C	1°C	1,5 m	Ø6 x 155mm
LR 101	27.054	-35 to +35°C	1°C	1,5 m	Ø6 x 115mm
L 101	27.030	-35 to +35°C	3°C	1,5 m	Ø6 x 115mm

Built-in remote-controlled series without bulb

FR 204



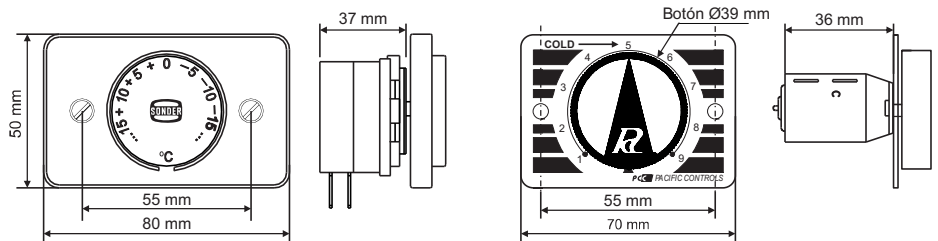
FR 202



SERIE PFN



- Mechanical thermostats with gas charge and copper bulb
- Applications on commercial cooling installations and equipment, display cases, bottle cupboards, water coolers, etc.
- FR 202 with control with two stops and breaking power 16(4)A 230V~
- FR 204 with plastic trim plate
- Series PFN: aluminium trim plate and breaking power 5(2)A 230V~
- PFN 111F specially for bottle cupboards



104 / 212

Model	Code	Scale	Differential	Bulbe
FR 202	27.051	-15 to +15°C	1°C	1,2 m
FR 204	27.053	-15 to +15°C	1°C	1,2 m
PFN 111A	27.063	-15 to -1°C	9°C	1,2 m
PFN 111E	27.064	-25 to -15°C	9°C	1,2 m
PFN 111F	27.065	+1,5 to +9,5°C	9°C	1,2 m