

## Magnetic liquid level sensor type **BC-52**

### Intended use

These sensors are designed to indicate the levels of liquids in tanks and containers. For conductive or non-conductive liquids, water, oils, chemical products, etc. with no metal particles suspended.

### Function

The magnetic liquid level sensors are composed by a float which travels along the length of the body. Inside the body there are REED switches which are activated when the float is at the same level. The REED switches change to their initial status when the float disappears of their position.

### Technical data

**N° of REED:** 1

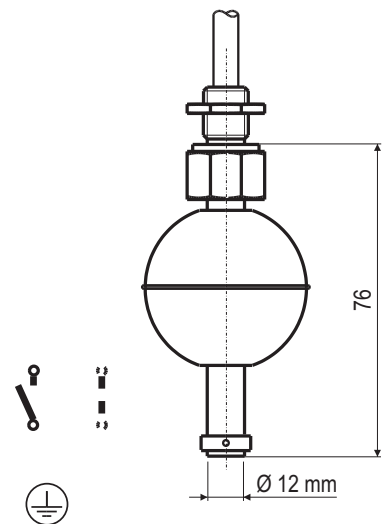
**Type of contact:** NO. If you reverse the position of the float 180 °, in this case the contact changes to NC.

#### Maximum ratings of the Contacts

for resistive loads: max. **230 V AC, 0.5 A, 50 W.**

for inductive, capacitive or tungsten lamps: reduce this values to 50%.

<b>Electrical connection</b>	<b>1m</b>
<b>Process connection</b>	<b>G 1/4 "</b>
<b>Material of the body</b>	<b>Stainless Steel AISI 316L</b>
<b>Length of the body</b>	<b>76 mm</b>
<b>Dimensions and Material of the float</b>	<b>Ø 52 mm Stainless Steel AISI 316L</b>
<b>Minimum density</b>	<b>0.7 kg/l</b>
<b>Protection</b>	<b>IP 65</b>
<b>Pressure</b>	<b>30 bar</b>
<b>Maximum temperature</b>	<b>+120°C with silicon cable</b>



### For a correct work of the level sensor:

- Be in mind the electrical maximum values.  
**Use an auxiliary switch.**
- Do not hit nor bend the sensor.
- Do not immerse the electrical part of the sensor.
- Install far away of any magnetic field
- and with a minimum distance of 100mm from any metallic wall of the tank.
- Protect against any turbulence. Install far away of any agitator and any jet of liquid.
- Protect against any vibration.
- Do not install sloping more than 15° from the vertical.
- Avoid applications with steam. There are special models for them.

**N.O.:** the float closes the contact

**N.C.:** the float opens the contact

**Range of tolerance: ± 5mm**